

# FEATURES

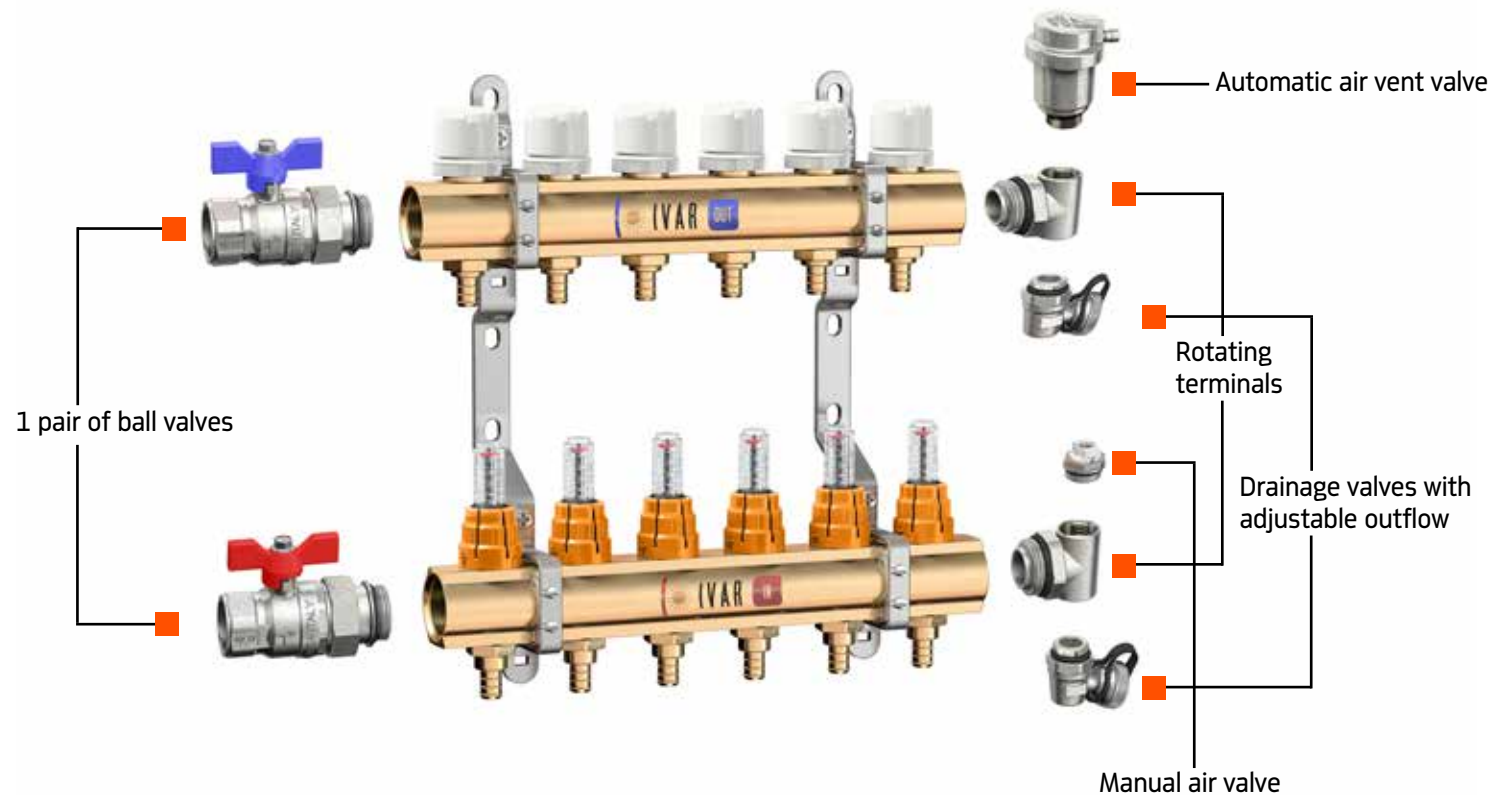
Manifolds serve the function of delivering the working fluid to the different heating and/or cooling devices. IVAR stocks numerous sizes and configurations for all installation requirements, along with all the necessary components to complete the system such as: isolation valves, air vents, fill/drain valves, by-pass valves and insulation kits.

- Distribution manifolds are constructed from drawn brass bars or made of stainless steel.
- Each manifold is pressure tested for integrity with all fittings and accessories mounted.
- Brass manifolds are also subjected to a stress-relieving treatment after mechanical finishing to eliminate future cracking and breaking.
- Manifold kits come complete with FLUXER flow metering devices with position memory, return manifold with thermostatically-controlled radiator valves with manual head, pre-assembled fixing brackets, ball valves and thermometer, and terminal with drain-filling valves and automatic air vent valves.

## ACCESSORY KIT

Accessory kit for brass and stainless steel manifolds made of:

- 2 rotating terminals
- 2 drainage valves with adjustable outflow
- 1 manual air valve
- 1 automatic air vent valve
- 1 pair of ball valves

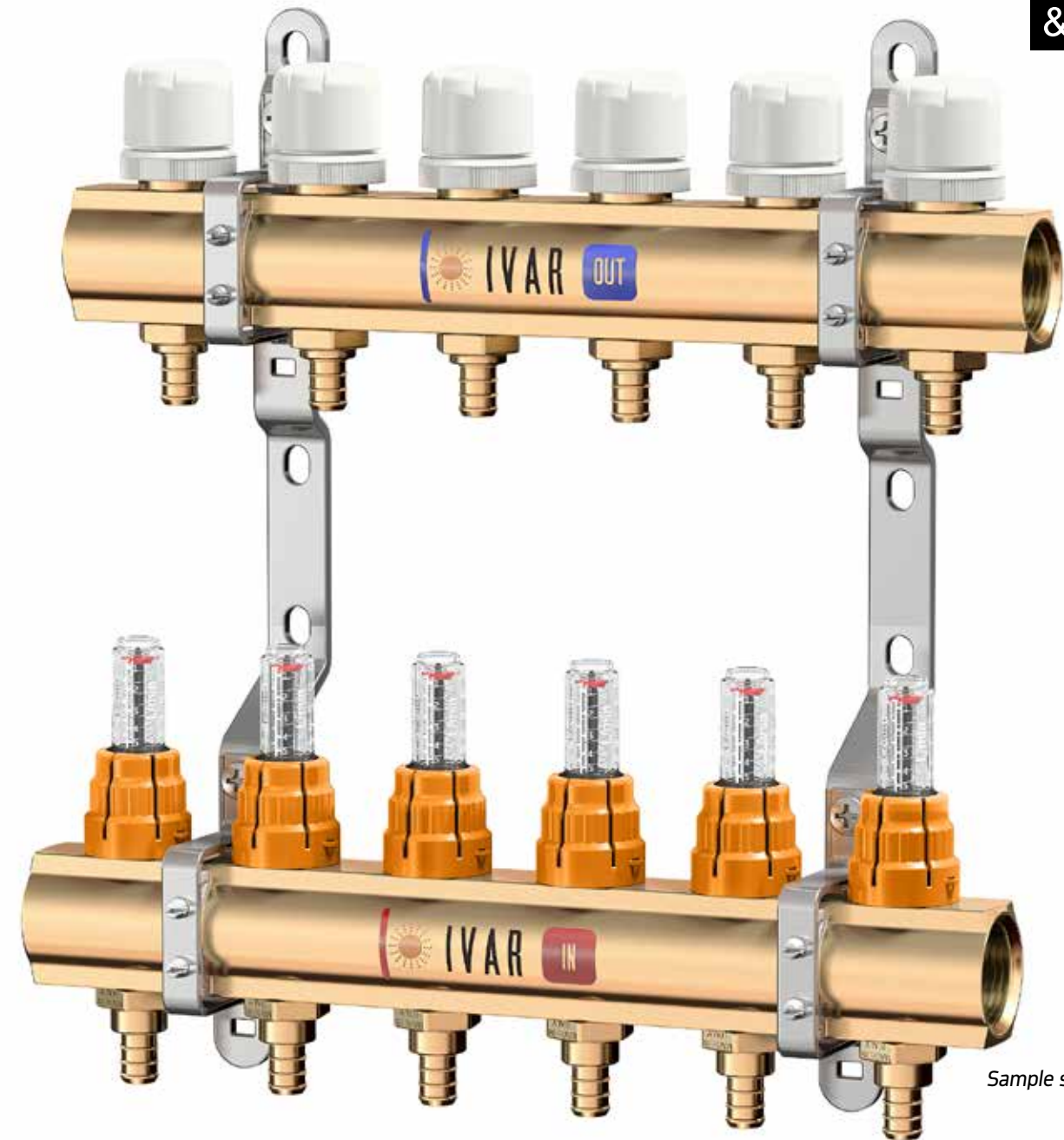


# MANIFOLDS

Distribution manifolds for heating and cooling



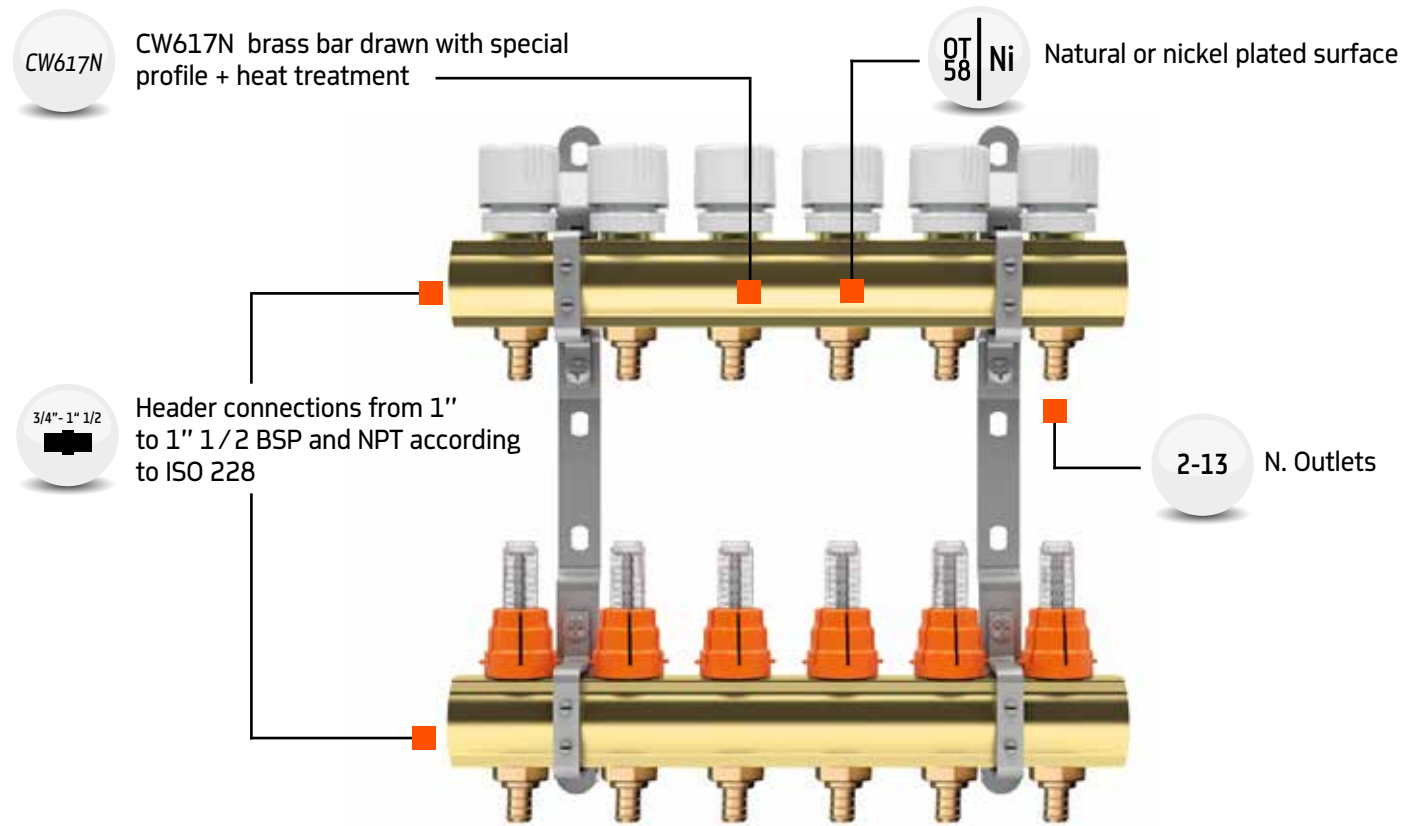
HYDRONIC  
COMPONENTS  
& SYSTEMS



Sample shown is a brass manifold

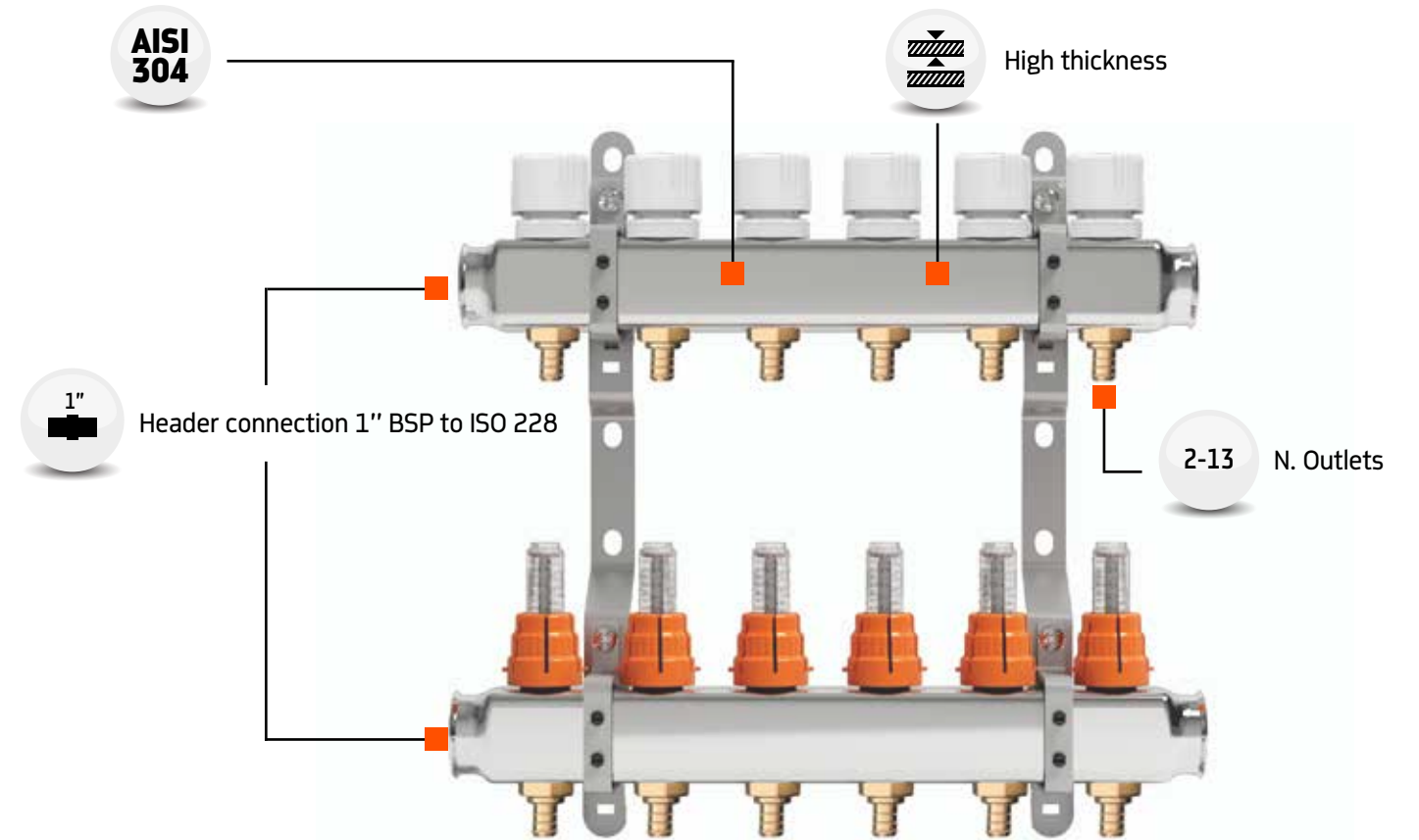


# BRASS-BAR MANIFOLDS



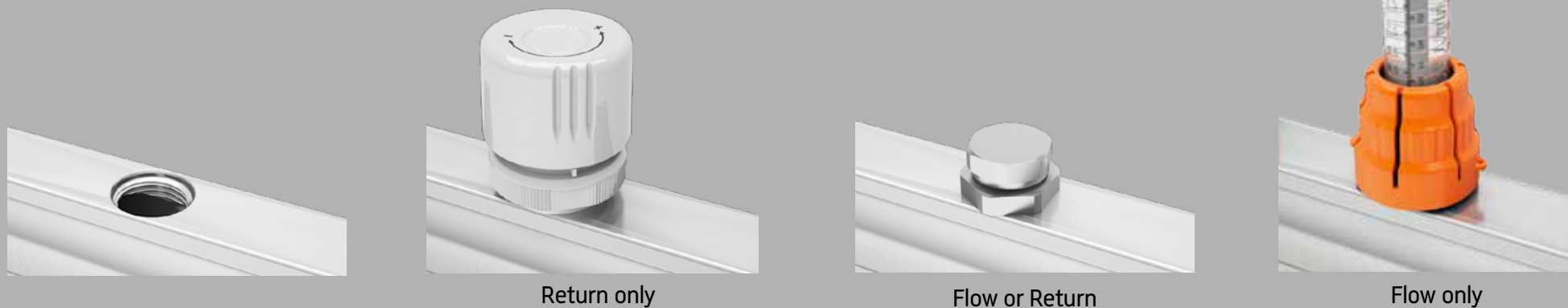
Supplied as standalone components or in flow (F) / return (R) kits; preassembled on standard or low thickness (3 5/32") brackets.  
 Available with outlet fittings, lockshield-type (F), FLUXER (F) or thermostatic control (R) inserts.  
 Optional thermal insulation shell.  
 Available also with upper flow manifold and lower return manifold.

# STAINLESS STEEL MANIFOLDS



Supplied in flow/return kits (F: FLUXER / R: thermostatic control inserts).  
 Preassembled on standard or low thickness (3 5/32") brackets.

## PREASSEMBLED COMPONENTS FOR BRASS-BAR AND STAINLESS STEEL



IVAR's exclusive FLUXER flow rate measuring device allows the flow rate passing through each individual delivery manifold branch circuit to be clearly read.

- Precise, effective flow rate regulation without the use of diagrams or measuring devices.
- Balancing of the individual branches.
- Memorization of the calibration position even in the event of a momentary closure of the branch.
- A reverse seal system that allows the removal of the graduated scale for cleaning even while the system is in operation.
- Lead sealing to prevent tampering.

**Materials:** Heat-resistant plastic material w/EPDM peroxide gaskets  
**Type of contact fluids:** Heating water, cold water. Water mixed with antifreeze additives  
**Operating Temperature:** Max. 194°F Max.  
**Operating Pressure:** 145 PSI  
**Regulation Scale:** 0-1.32 GPM  
**Regulation Precision:** ±10%